

All printed copies are uncontrolled. (C) Copyright Bitec 2015

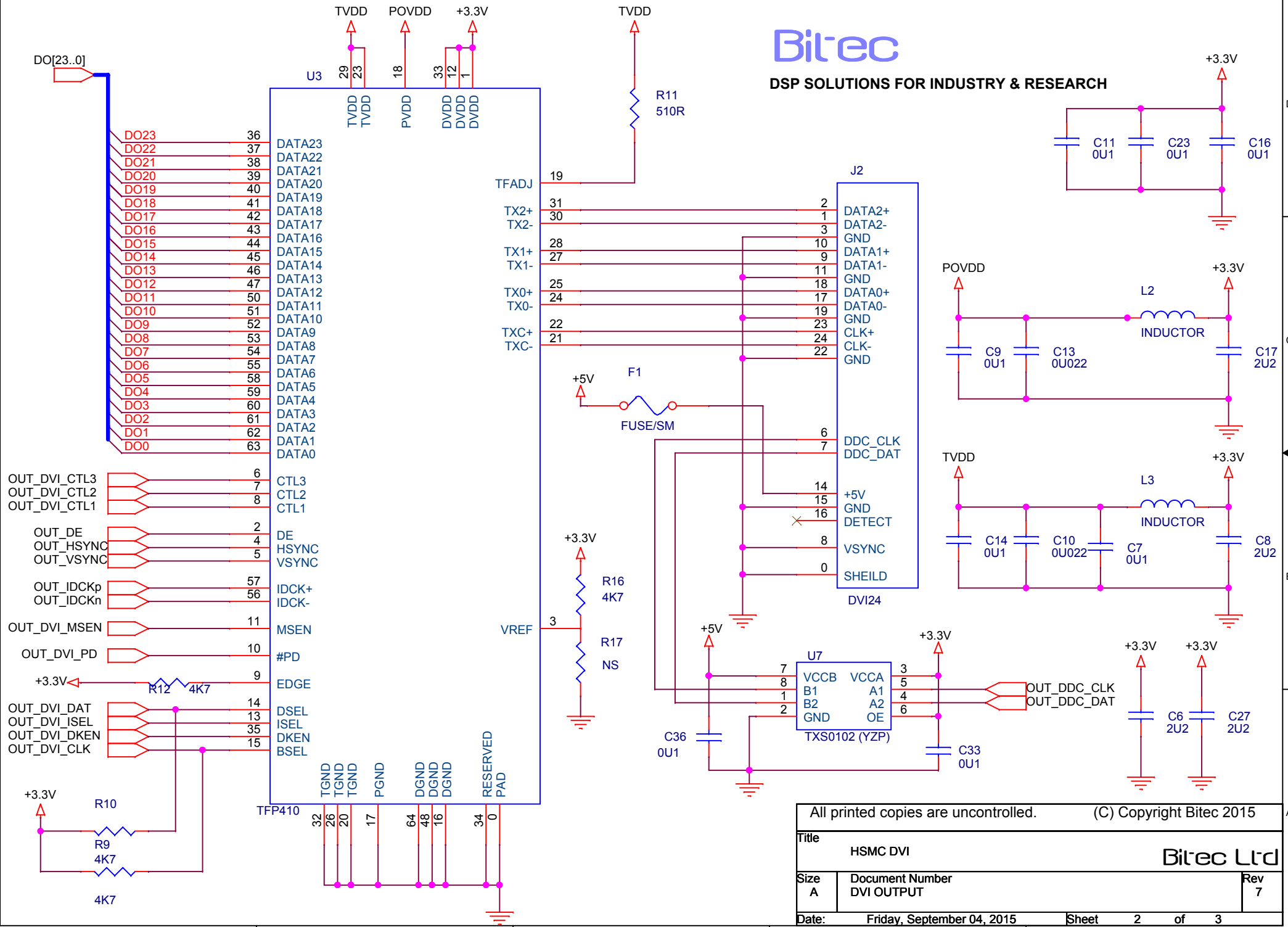
Title		
HSMC DVI		
Size	Document Number	Rev
A	DVI INPUT	7
Date:	Friday, September 04, 2015	Sheet 1 of 3

IN_SDA 1 J8 2
 IN_SCL 3 J8 4

Install jumpers to program via FPGA



DSP SOLUTIONS FOR INDUSTRY & RESEARCH



All printed copies are uncontrolled. (C) Copyright Bitec 2015

Title		HSMC DVI		Bitec Ltd	
Size	A	Document Number	DVI OUTPUT		
Date:	Friday, September 04, 2015	Sheet	2	of	3
Rev	7				