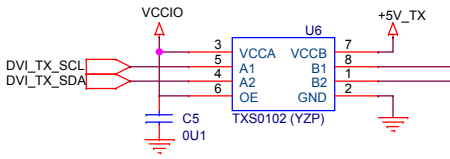
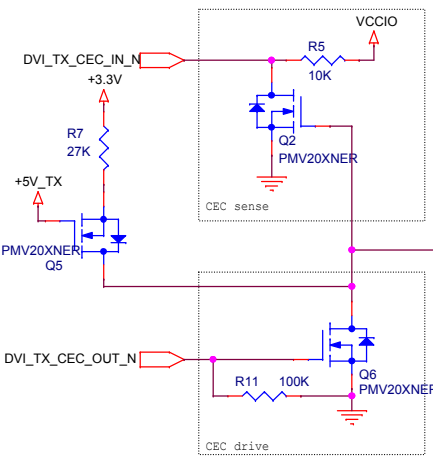
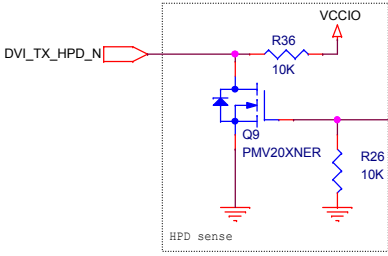
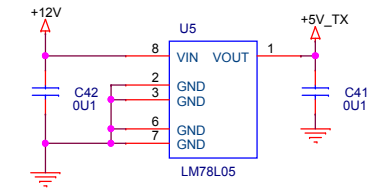
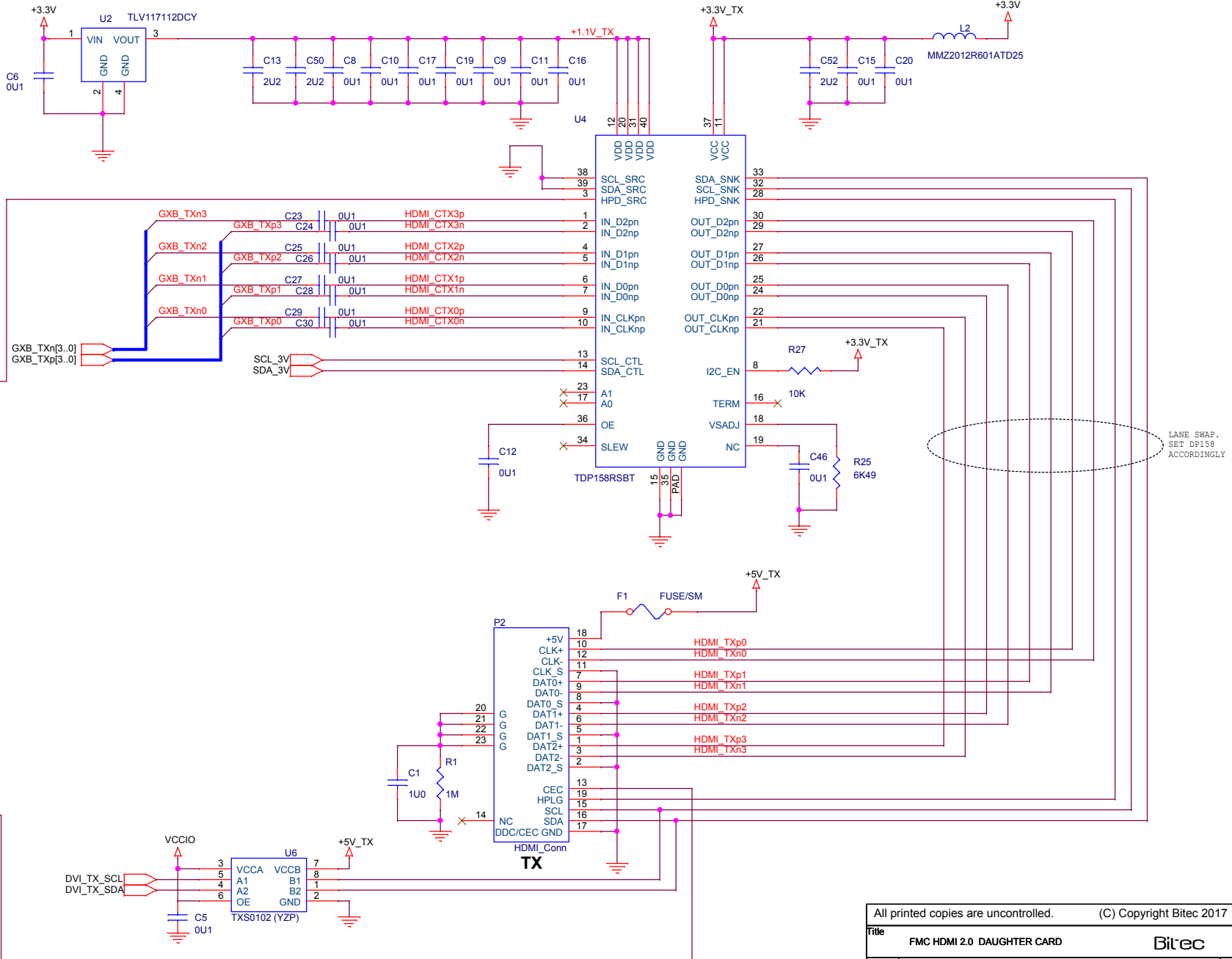
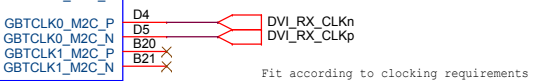
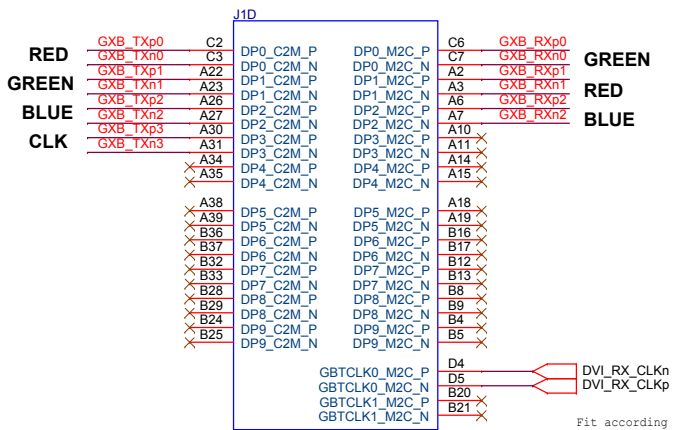
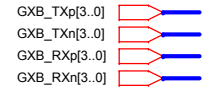
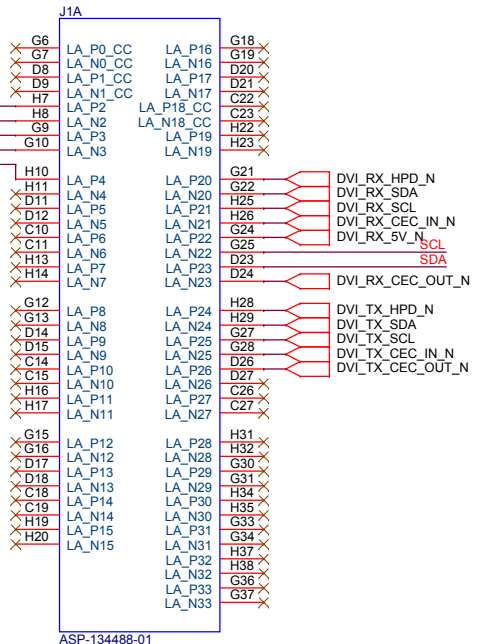
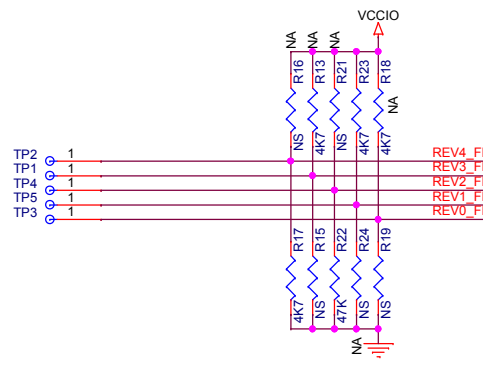
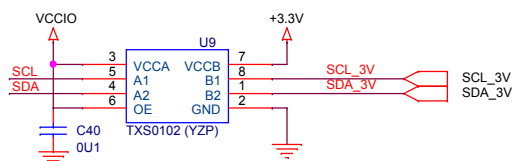


All printed copies are uncontrolled.		(C) Copyright Bitec 2017	
Title		FMC HDMI 2.0 DAUGHTER CARD	Bitec
Size	Document Number	TMDS RX	Rev
B			11
Date:	Monday, November 06, 2017	Sheet	1 of 3



All printed copies are uncontrolled.		(C) Copyright Bittec 2017
Title	FMC HDMI 2.0 DAUGHTER CARD	Bittec
Size B	Document Number TMDS TX	Rev 11
Date:	Thursday, May 03, 2018	Sheet 2 of 3

All printed copies are uncontrolled.



Fit according to clocking requirements

