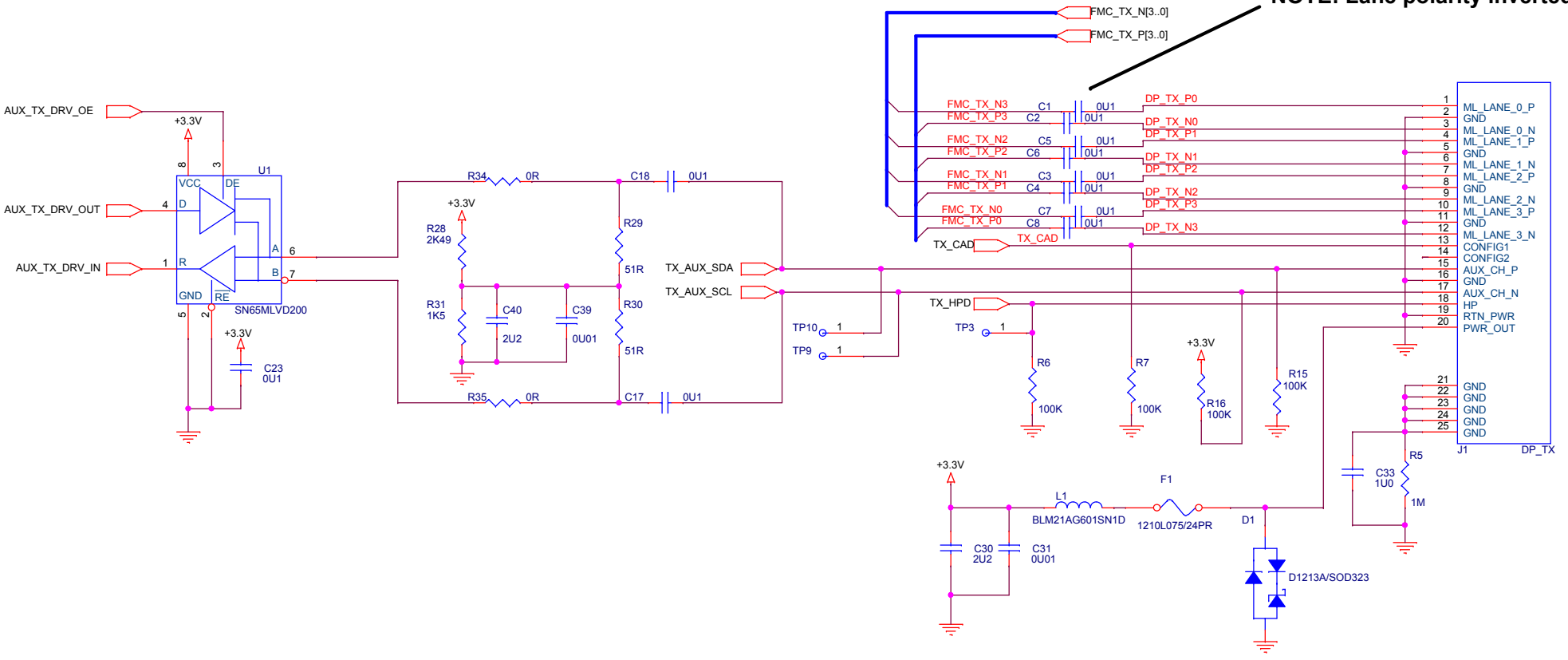


**NOTE: Lane ordering reversed**  
**NOTE: Lane polarity inverted**



All printed copies are uncontrolled.		(C) Copyright Bitec 2016
Title <b>FMC DISPLAYPORT</b>		
Size B	Document Number <Doc>	Rev 8
Date:	Monday, November 13, 2017	Sheet 2 of 3

