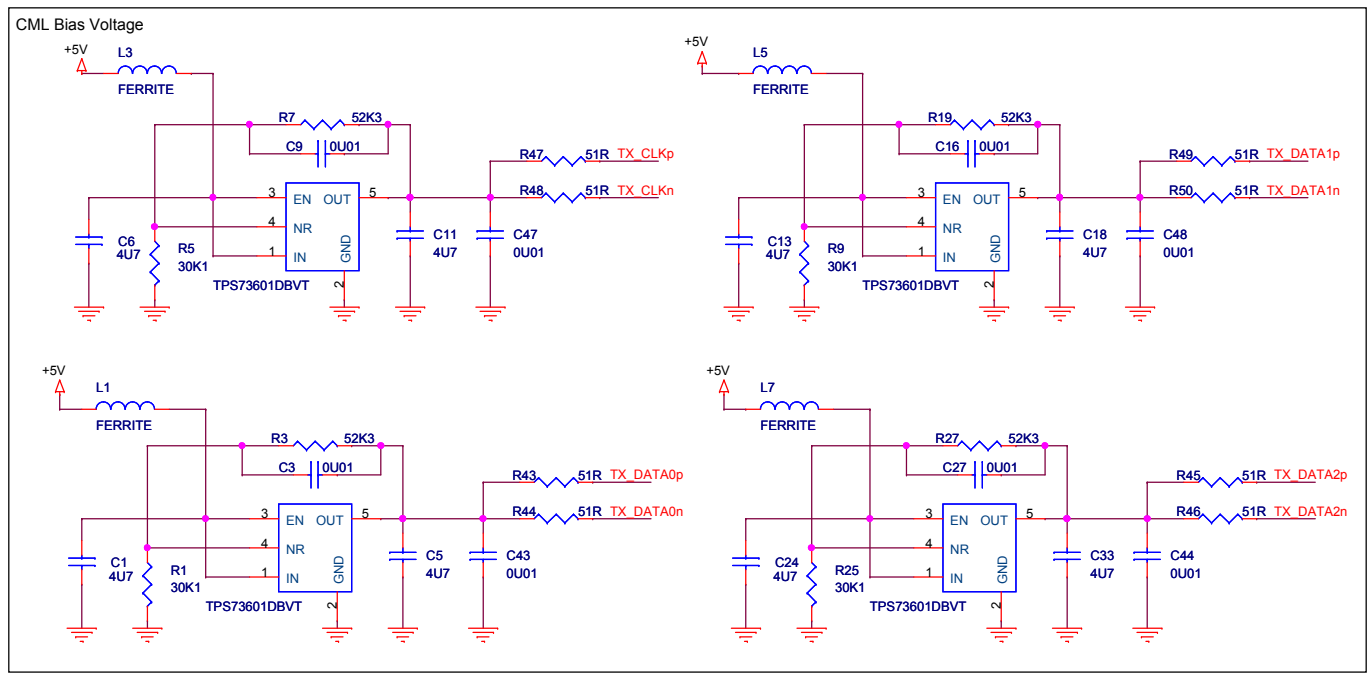
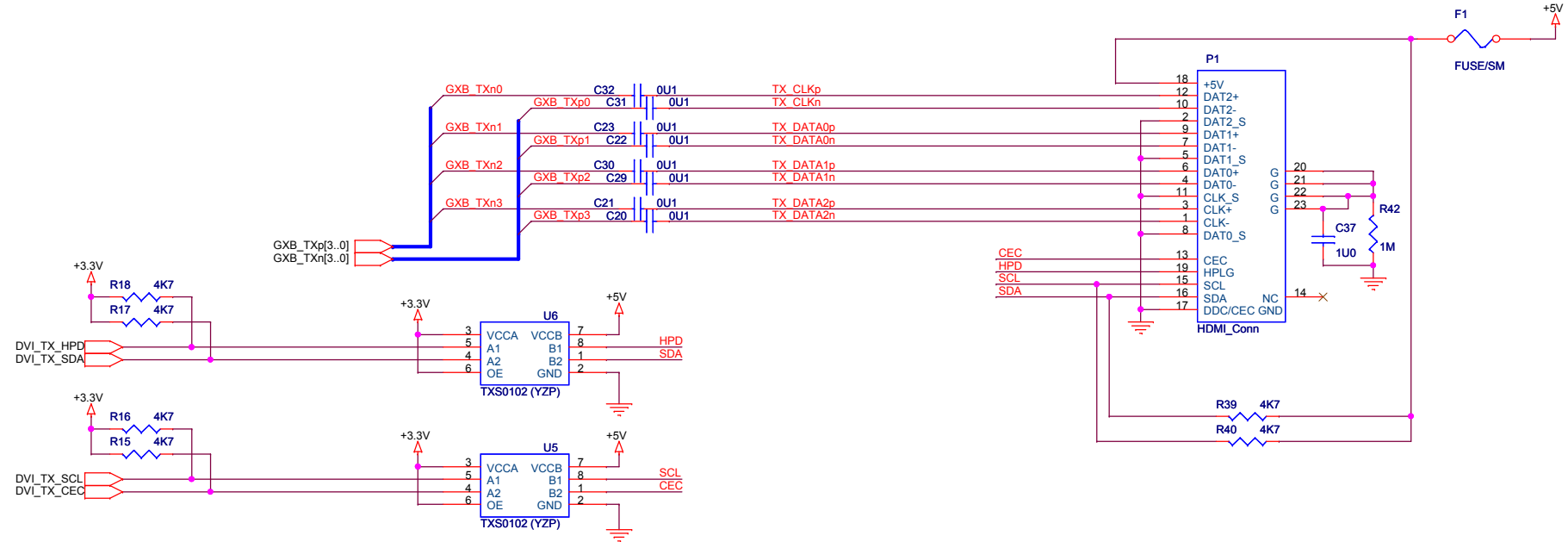


Bitec
DSP SOLUTIONS FOR INDUSTRY & RESEARCH

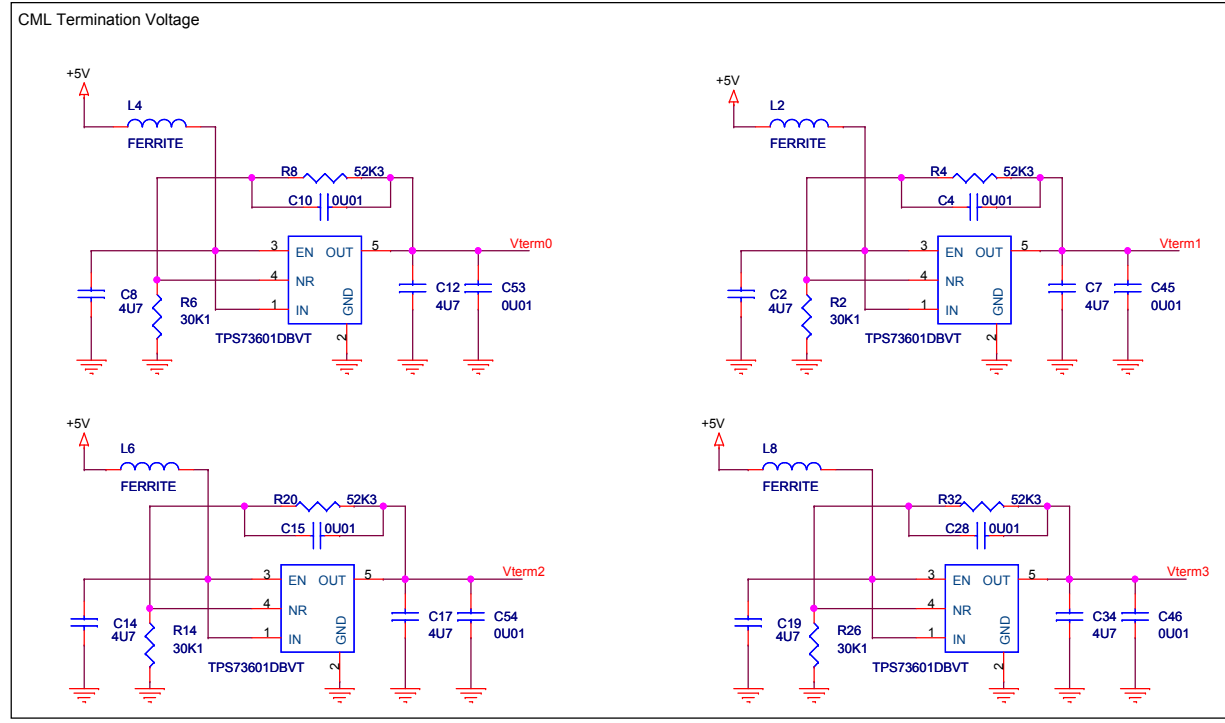
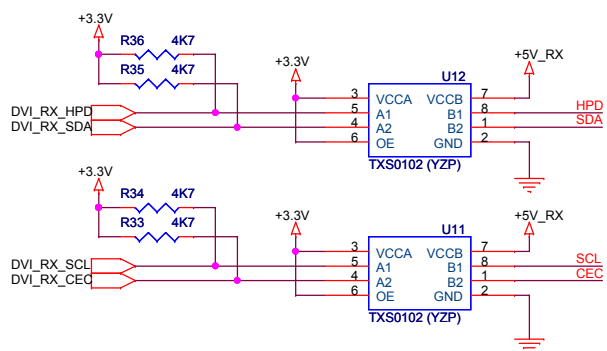
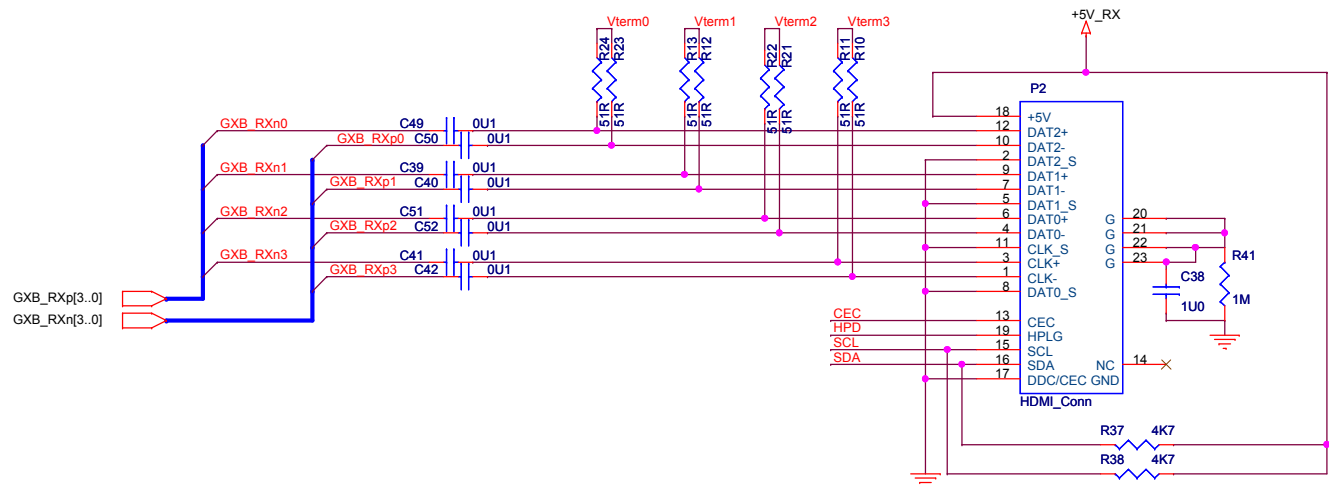
All printed copies are uncontrolled. (C) Copyright Bitec 2014	
Title	HSMC HDMI 2.0 DAUGHTER CARD Bitec
Size	Document Number
B	HSMC CONNECTORS Rev 1
Date:	Monday, February 24, 2014 Sheet 1 of 1



All printed copies are uncontrolled. (C) Copyright Bitec 2014

Title		HSMC HDMI 2.0 DAUGHTER CARD		Bitec	
Size	B	Document Number	TMDS TX	Rev	1
Date:	Tuesday, August 26, 2014	Sheet	1	of	1

All printed copies are uncontrolled.



All printed copies are uncontrolled. (C) Copyright Bitec 2014

Title		HSMC HDMI 2.0 DAUGHTER CARD		Bitec	
Size	B	Document Number	TMDS RX	Rev	1
Date:	Tuesday, August 26, 2014			Sheet	1 of 1

All printed copies are uncontrolled.