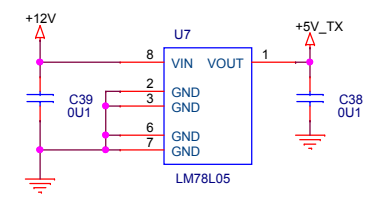
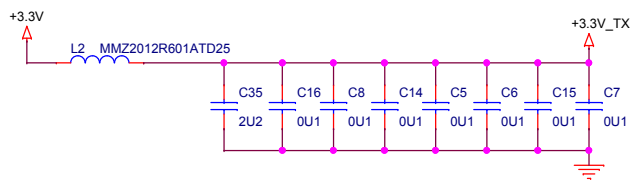


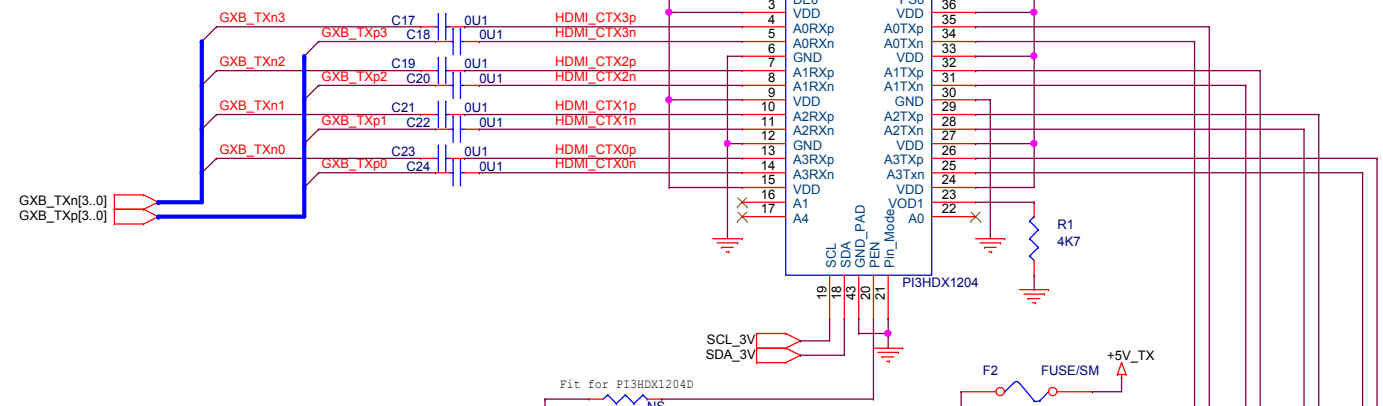
All printed copies are uncontrolled. (C) Copyright Bitec 2015

|       |                              |                            |        |
|-------|------------------------------|----------------------------|--------|
| Title |                              | FMC HDMI 2.0 DAUGHTER CARD | Bitec  |
| Size  | Document Number              | TMDS RX                    |        |
| B     |                              |                            | Rev 4  |
| Date: | Wednesday, December 09, 2015 | Sheet                      | 1 of 3 |

All printed copies are uncontrolled.

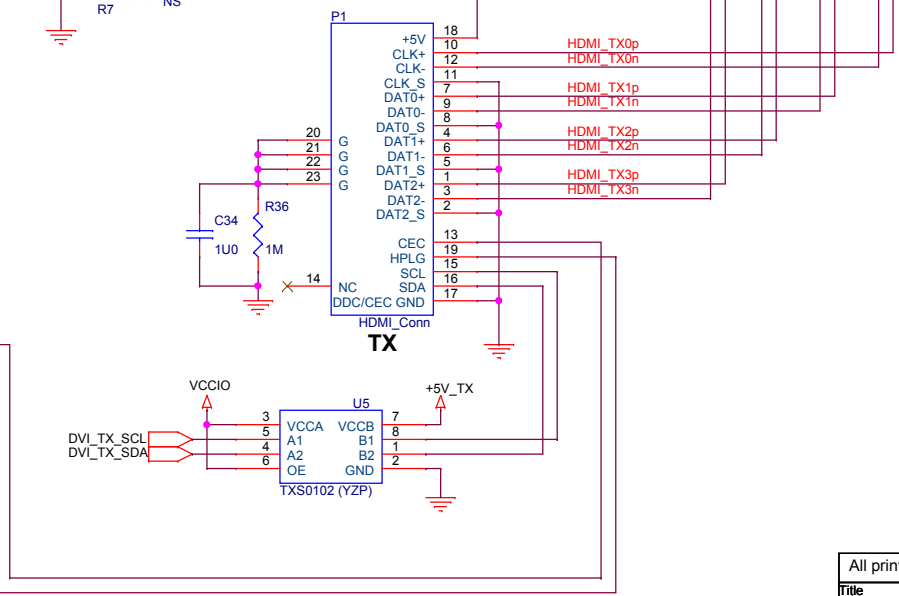
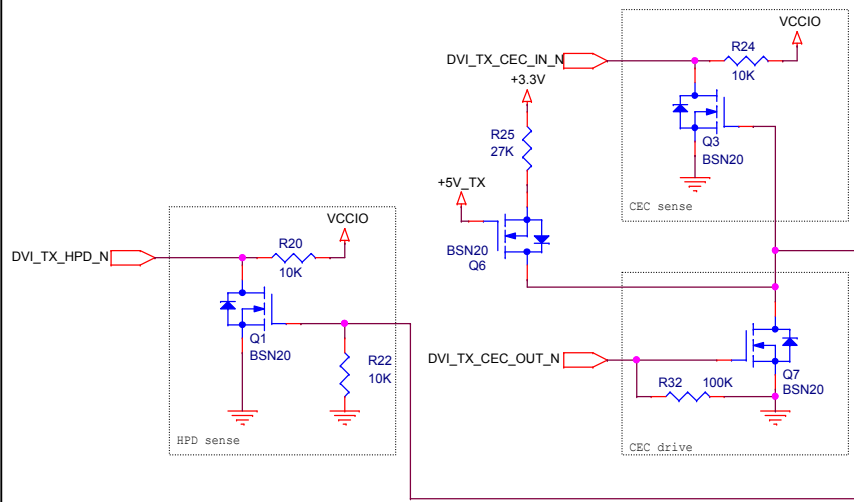


**NOTE: TX XCVR DATA POLARITY INVERTED**



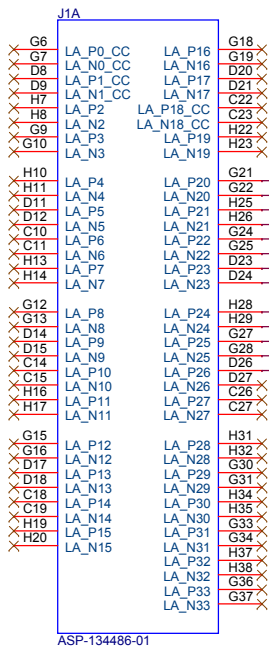
A

A

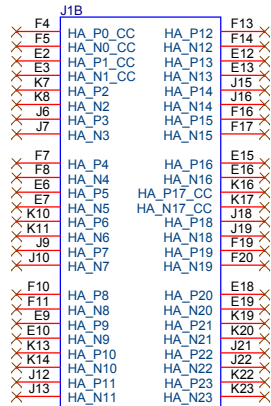


|                                      |                            |                            |        |
|--------------------------------------|----------------------------|----------------------------|--------|
| All printed copies are uncontrolled. |                            | (C) Copyright Bitec 2015   |        |
| Title                                |                            | FMC HDMI 2.0 DAUGHTER CARD | Bitec  |
| Size                                 | Document Number            |                            | Rev    |
| B                                    | TMDS TX                    |                            | 4      |
| Date:                                | Friday, September 25, 2015 | Sheet                      | 2 of 3 |

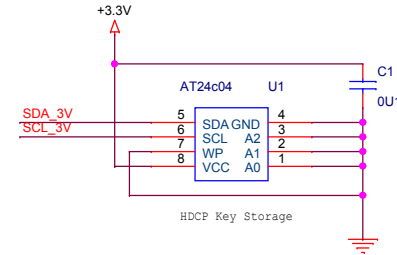
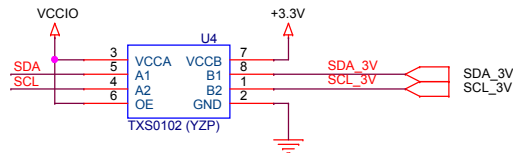
All printed copies are uncontrolled.



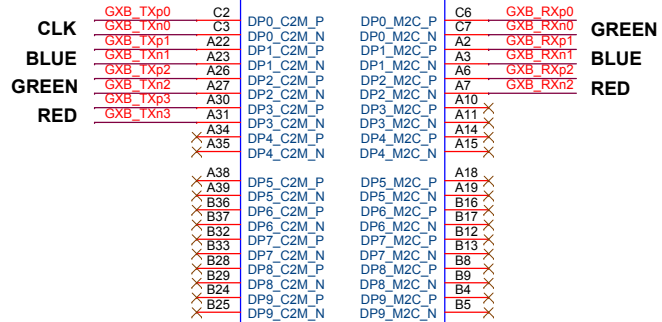
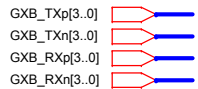
ASP-134486-01



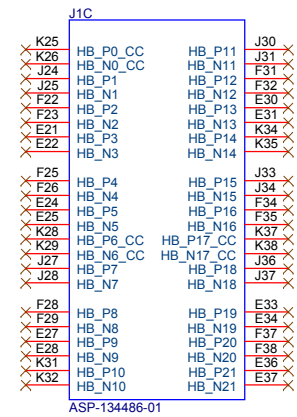
ASP-134486-01



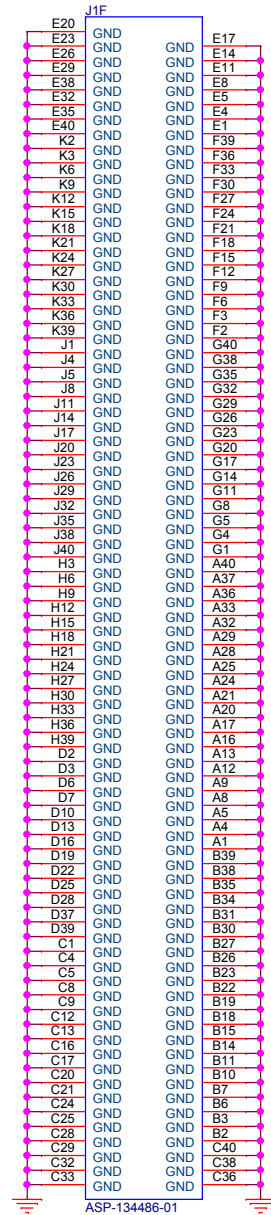
HDCP Key Storage



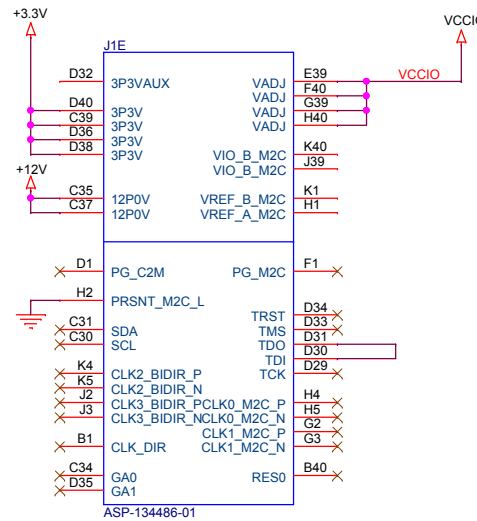
ASP-134486-01



ASP-134486-01



ASP-134486-01



ASP-134486-01

|   |                          |          |
|---|--------------------------|----------|
| All printed copies are uncontrolled. (C) Copyright Bitec 2015 |                          |          |
| Title<br>FMC HDMI 2.0 DAUGHTER CARD                           |                          |          |
| Size<br>B   | Document Number<br><Doc> | Rev<br>4 |
| Date:<br>Friday, September 25, 2015                           | Sheet<br>3               | of<br>3  |