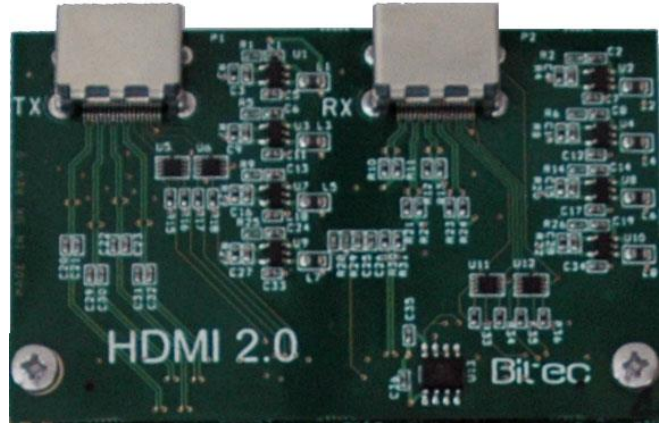


## Product Brief : HDMI HSMC Daughter Card

The Bitec HDMI HSMC Daughter card provides an interface between HDMI coding signals to the FPGA transceiver i/o pins.

The daughter card is design to operate up to 6Gbps for the HDMI 2.0 video standard at 4K@60 video formats.

The daughter card is design to operate with the Bitec HDMI IP Core.

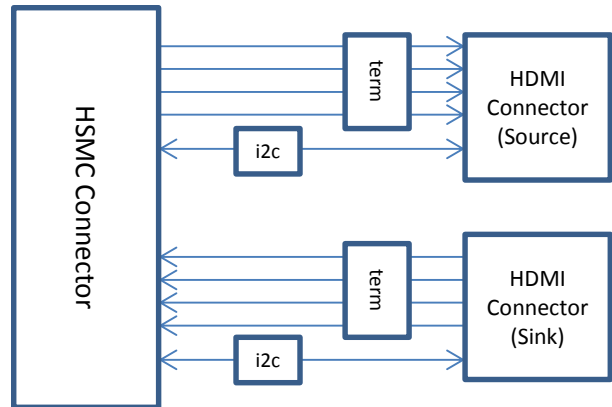


### Features

- Supports up to 6Gbps
- Direct interface to FPGA Transciever i/o pins
- Bugfered i2c and CEC signal pins

### Compatibility

- Cyclone V
- Arria II/V
- Stratix IV/V



Contact [info@bitec-dsp.com](mailto:info@bitec-dsp.com) for more information