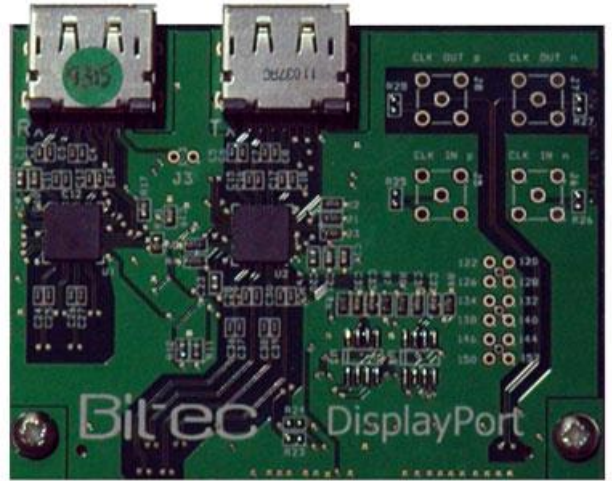


Product Brief : DisplayPort Daughter Card

The Bitec DisplayPort daughter card allows developers a rapid prototyping DisplayPort solution. The board incorporates DP 1.2 re-drivers to eliminate signal integrity issues when running at 5.4Gbps.

The daughter card is designed to operate with the Bitec DisplayPort IP Core. Together with an Altera development kit, the daughter card provides both a capable development platform as well as a useful DisplayPort debug tool.

Bitec also offer a tailoring service for bespoke designs. For more information contact Bitec.

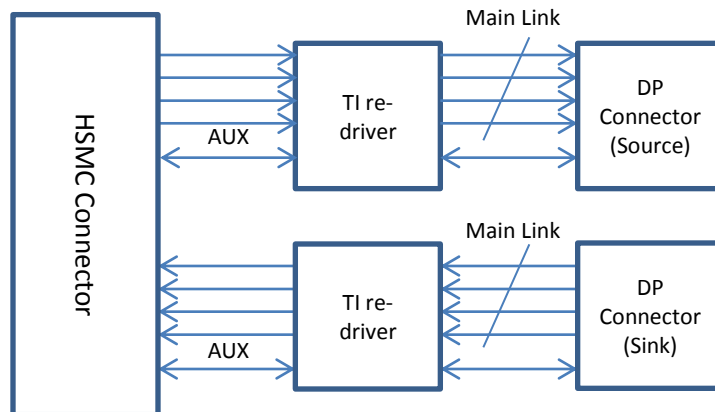


Features

- Supports DisplayPort 1.2 HBR2 (5.4Gbps)
- Integrated TI DP re-driver on source and sink signal path
- Compatible with Altera GX dev kits (Cyclone, Arria and Stratix)
- Clock and i/o expansion interface

Compatibility

- Cyclone V
- Arria II and V
- Stratix I, IV and V



Contact info@bitec-dsp.com for more information